

Sheet: /CPU_MEM/
 File: cpu_men.kicad_sch

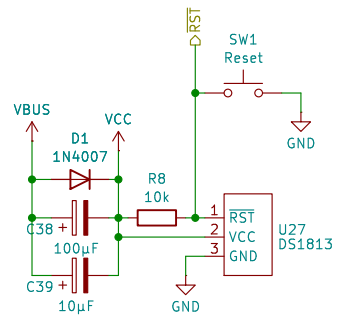
Title:

Size: A4
 KiCad E.D.A. 8.0.0

Date:

Rev:

Id: 2/6



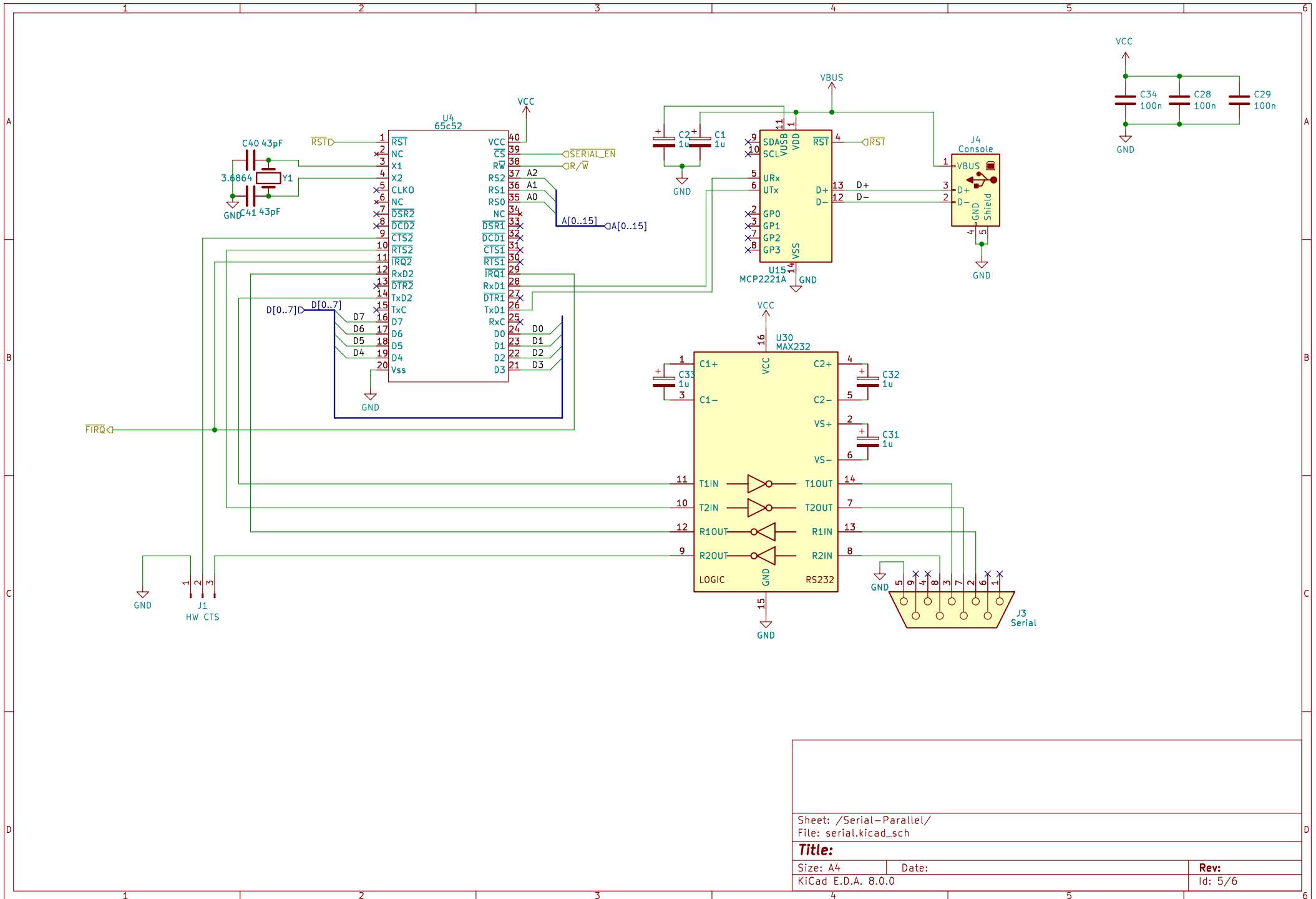
Sheet: /Power-Management/
File: power.kicad_sch

Title:

Size: A4
KiCad E.D.A. 8.0.0

Date:

Rev:
Id: 3/6



Sheet: /Serial-Parallel/
 File: serial.kicad_sch

Title:

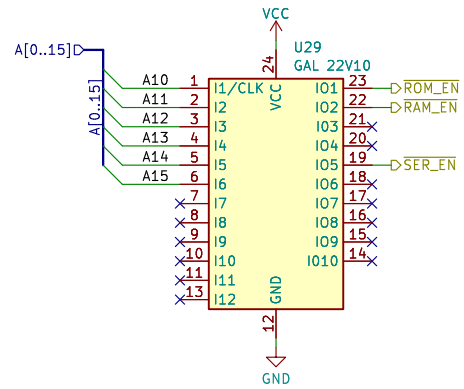
Size: A4 Date:

KiCad E.D.A. 8.0.0

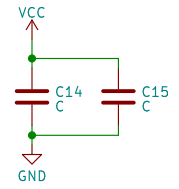
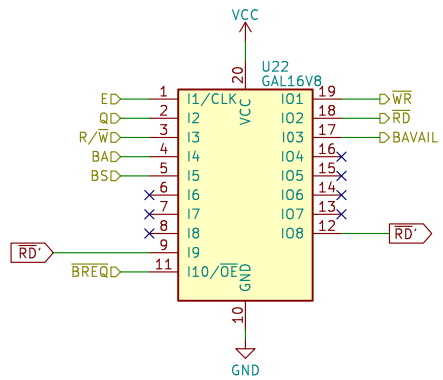
Rev:

Id: 5/6

$$\begin{aligned} \text{ROM_EN} &= A13 * A14 * A15 * (\overline{A10} + A11 + \overline{A12}) \\ \text{RAM_EN} &= \overline{A13} + \overline{A14} + \overline{A15} \\ \text{RAML_EN} &= \text{RAM_EN} * \text{AM19} * \text{AM20} * \text{AM21} \\ \text{SER_EN} &= A10 * \overline{A11} * A12 * A13 * A14 * A15 \end{aligned}$$



$$\begin{aligned} \text{BAVAIL} &= \text{BA} * \text{BS} * \text{BREQ} \\ \text{WR} &= \overline{\text{R}/\text{W}} * \text{Q} * \text{E} \\ \text{RD}' &= \text{R}/\text{W} * \text{Q} * \text{E} \\ \text{RD} &= \text{RD}' \quad \# \text{ Delay Read signal} \end{aligned}$$



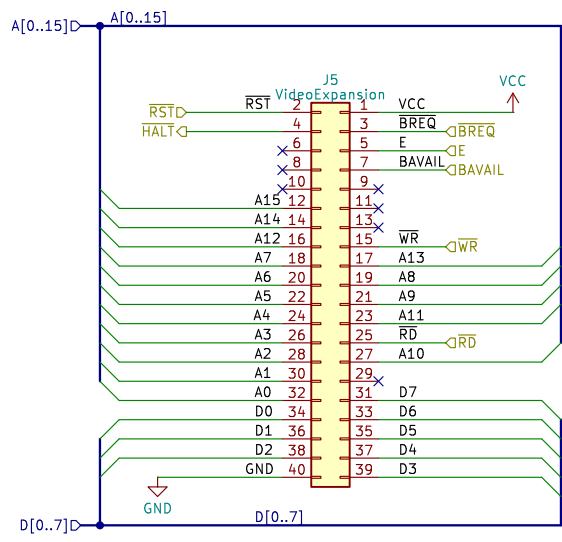
Sheet: /Address-Logic/
File: address_logic.kicad_sch

Title:

Size: A4
KiCad E.D.A. 8.0.0

Date:

Rev:
Id: 8/6



Sheet: /Expansion Ports/		
File: expansion.kicad_sch		
Title:		
Size: A4	Date:	Rev:
KiCad E.D.A. 8.0.0		Id: 9/6