




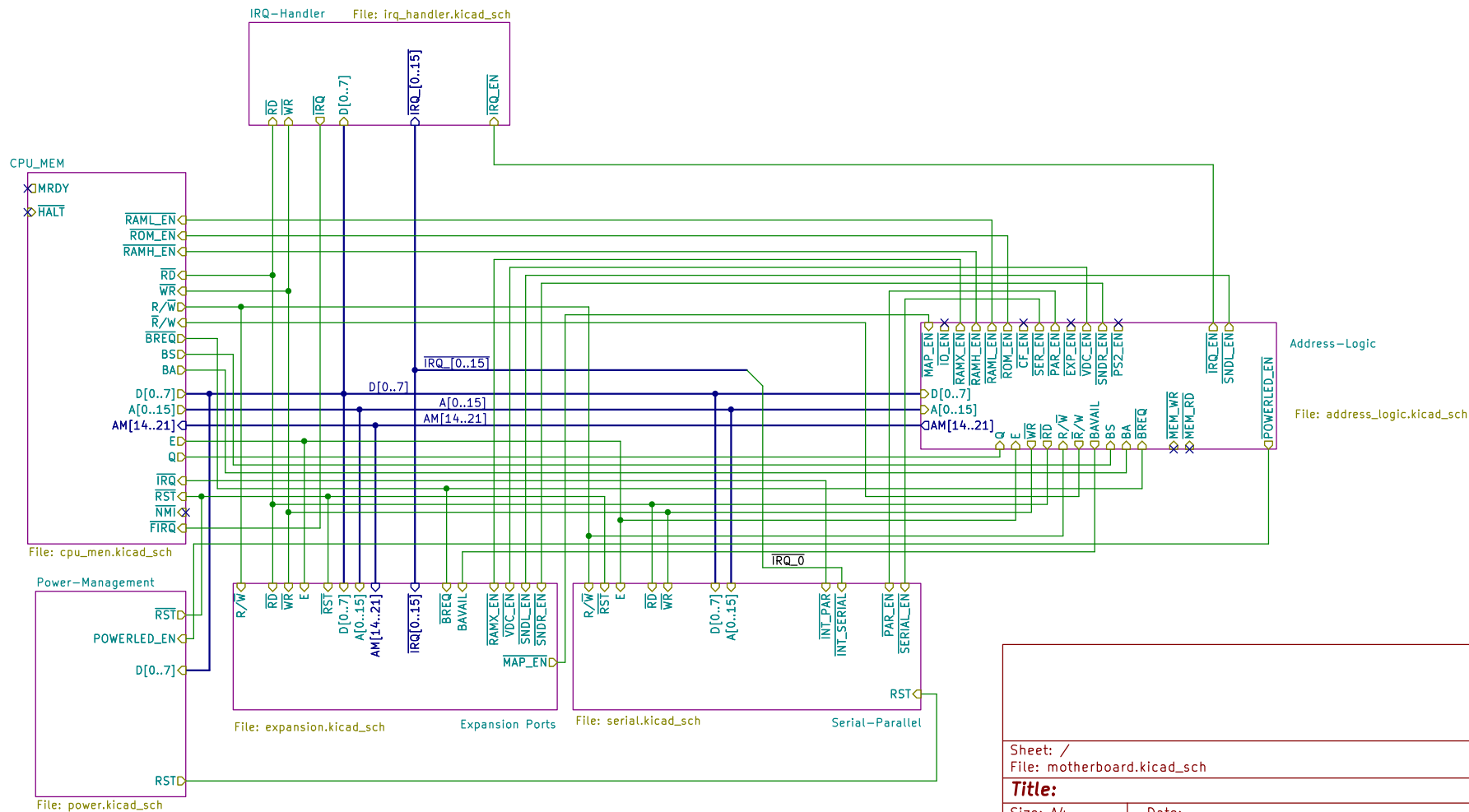


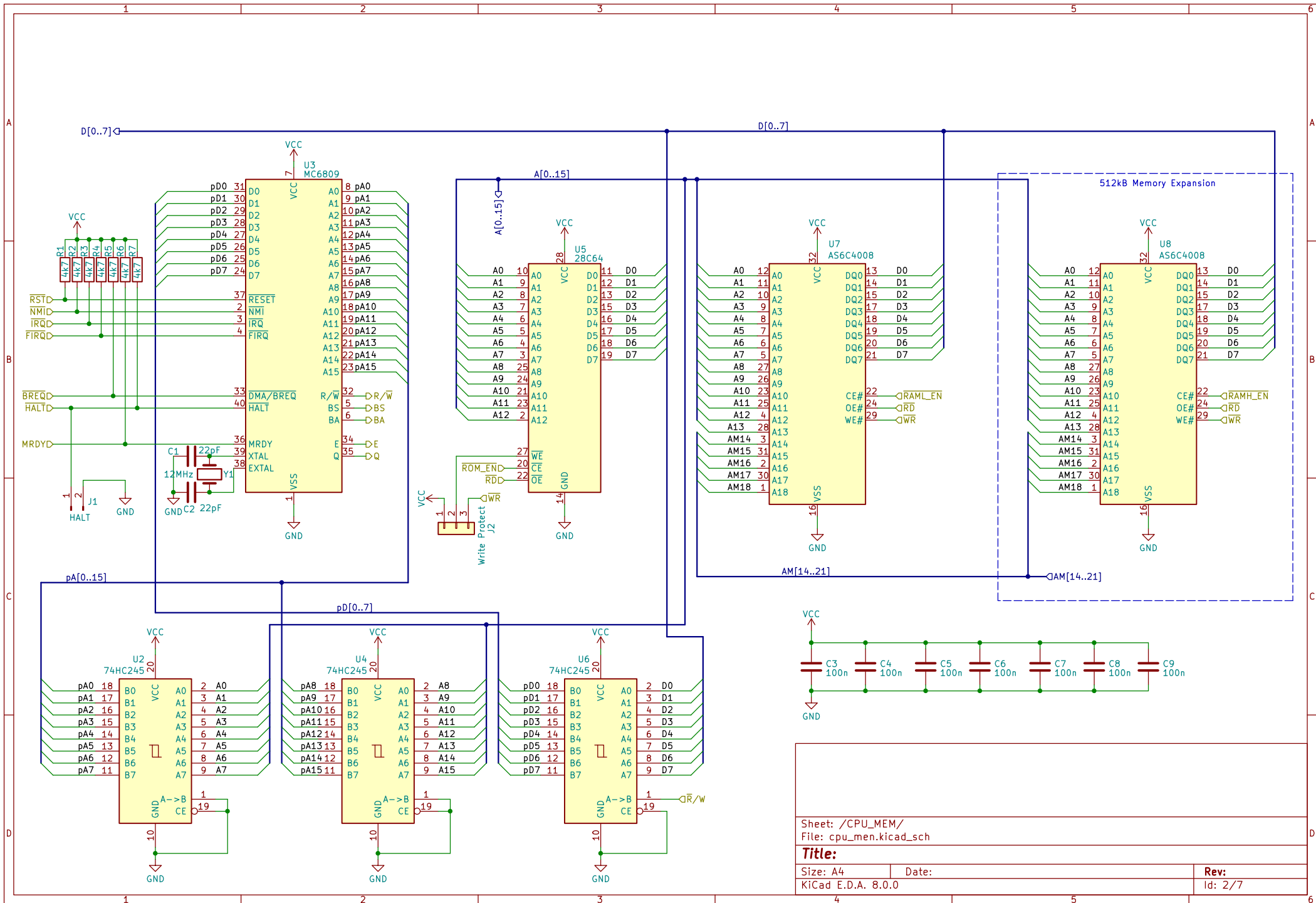


-  H1 MountingHole
-  H2 MountingHole
-  H3 MountingHole
-  H4 MountingHole
-  H5 MountingHole

 U1

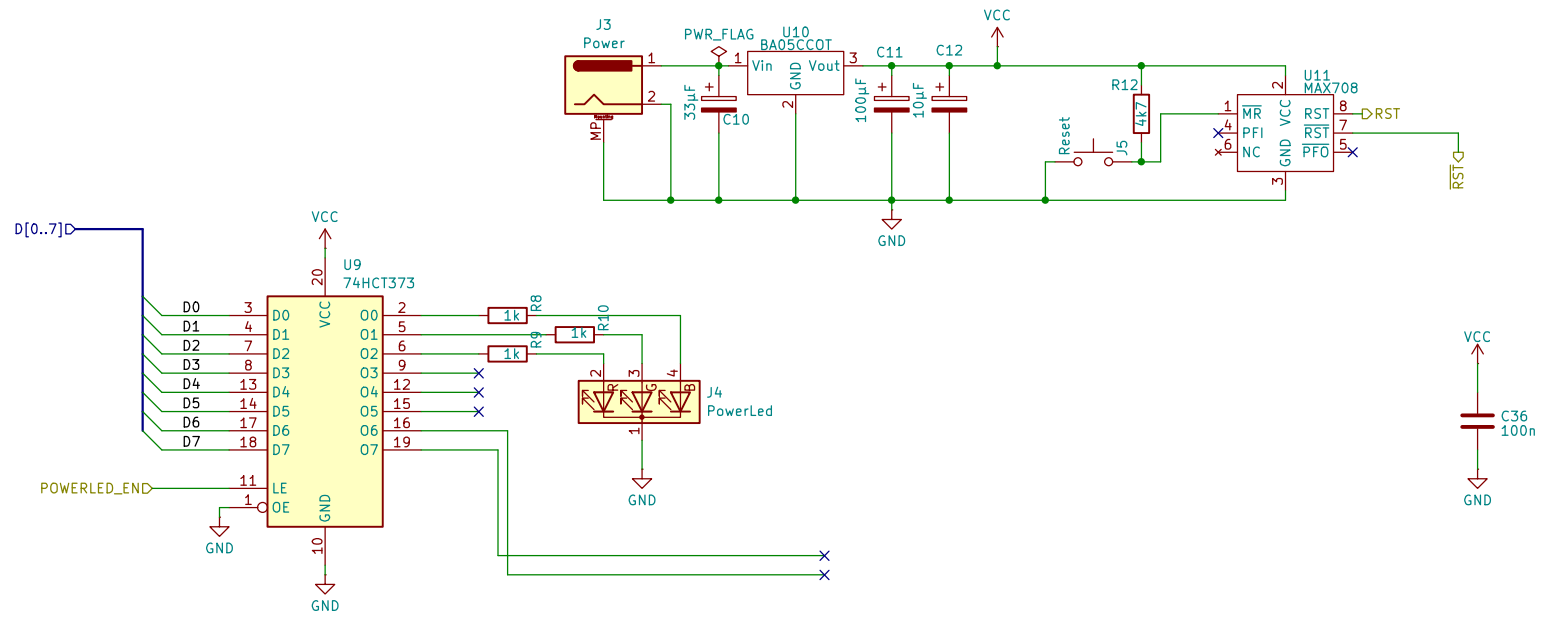


Sheet: /		Date:	
File: motherboard.kicad_sch		Rev:	
Size: A4	KiCad E.D.A. 8.0.0		Id: 1/7



Sheet: /CPU_MEM/
File: cpu_men.kicad_sch

Title:		Rev:	
Size: A4	Date:		
KiCad E.D.A. 8.0.0		Id: 2/7	



Sheet: /Power-Management/
 File: power.kicad_sch

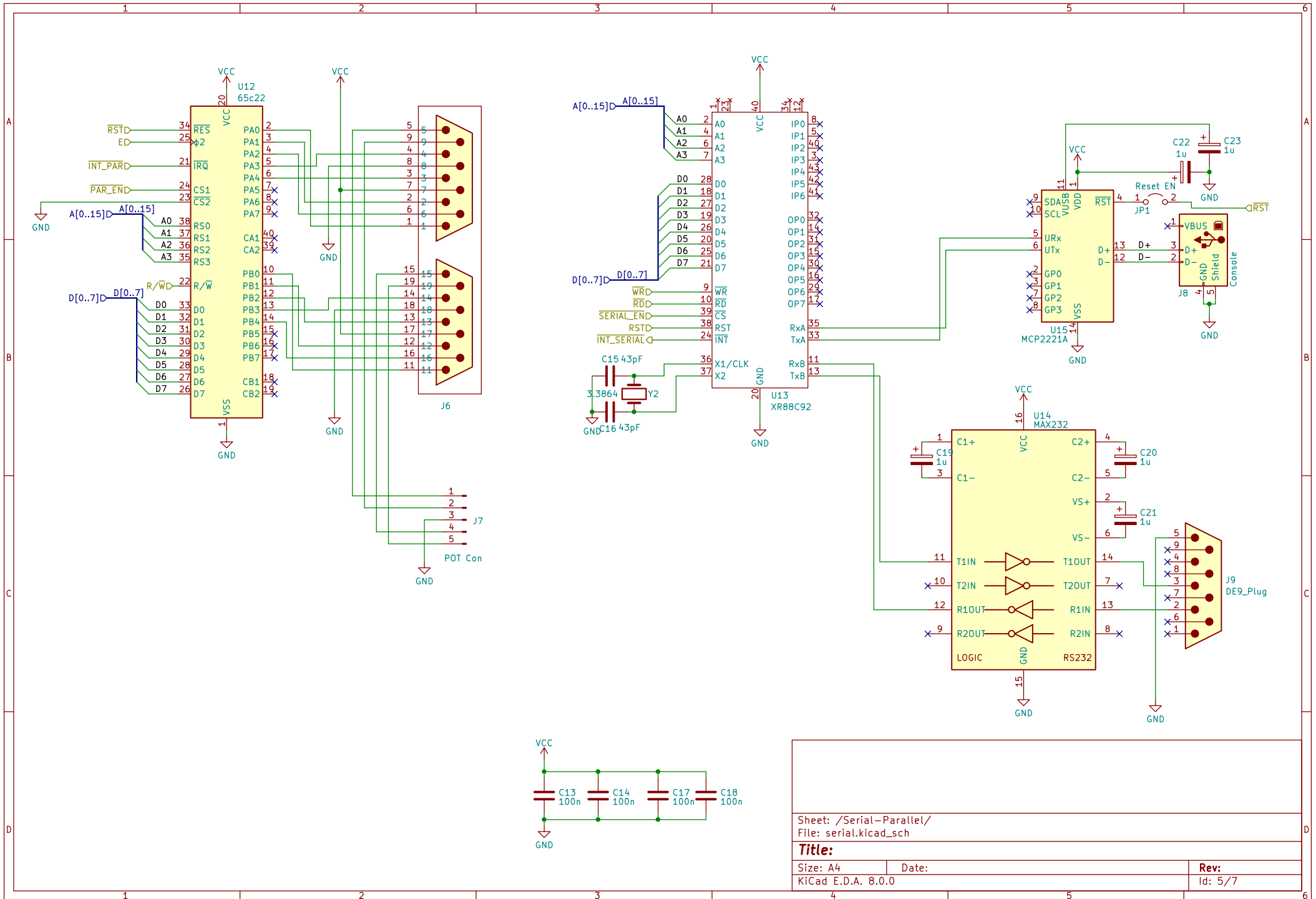
Title:

Size: A4
 KiCad E.D.A. 8.0.0

Date:

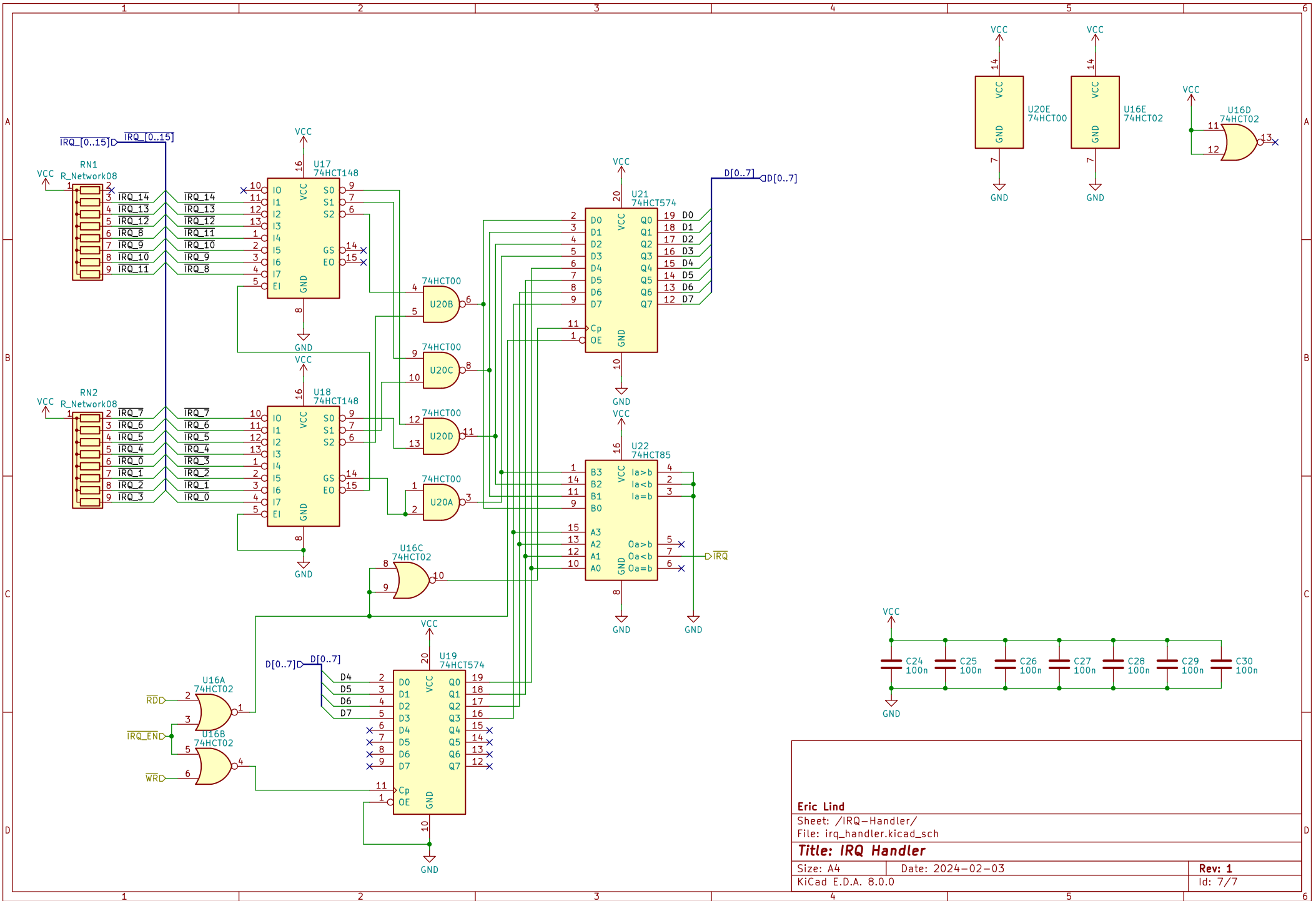
Rev:

Id: 3/7

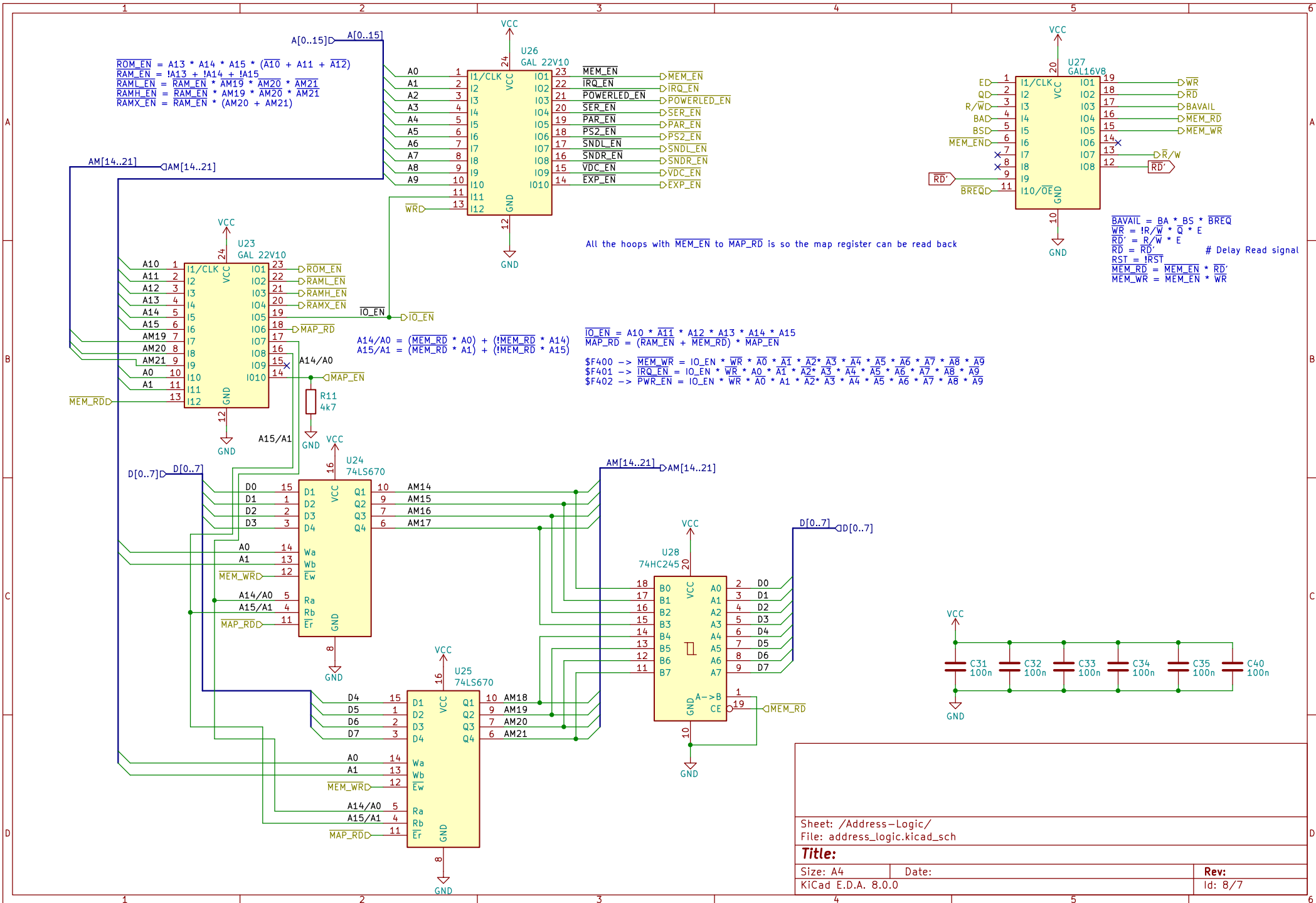


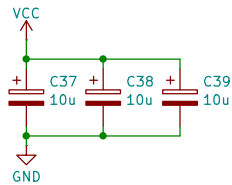
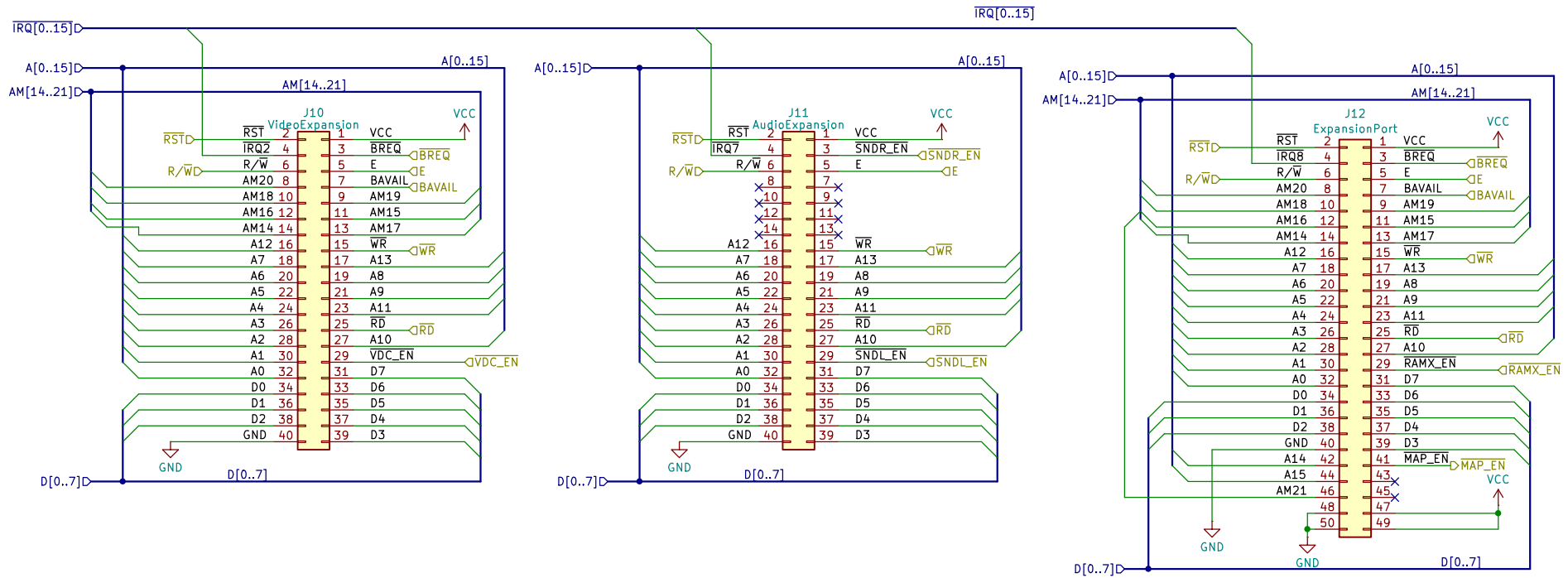
Sheet: /Serial-Parallel/
 File: serial.kicad_sch

Title:		
Size: A4	Date:	
KiCad E.D.A. 8.0.0		Rev: Id: 5/7



Eric Lind
 Sheet: /IRQ-Handler/
 File: irq_handler.kicad_sch
Title: IRQ Handler
 Size: A4 | Date: 2024-02-03
 KiCad E.D.A. 8.0.0 | Rev: 1
 Id: 7/7





Sheet: /Expansion Ports/
File: expansion.kicad_sch

Title:

Size: A4 Date:
KiCad E.D.A. 8.0.0

Rev:
Id: 9/7